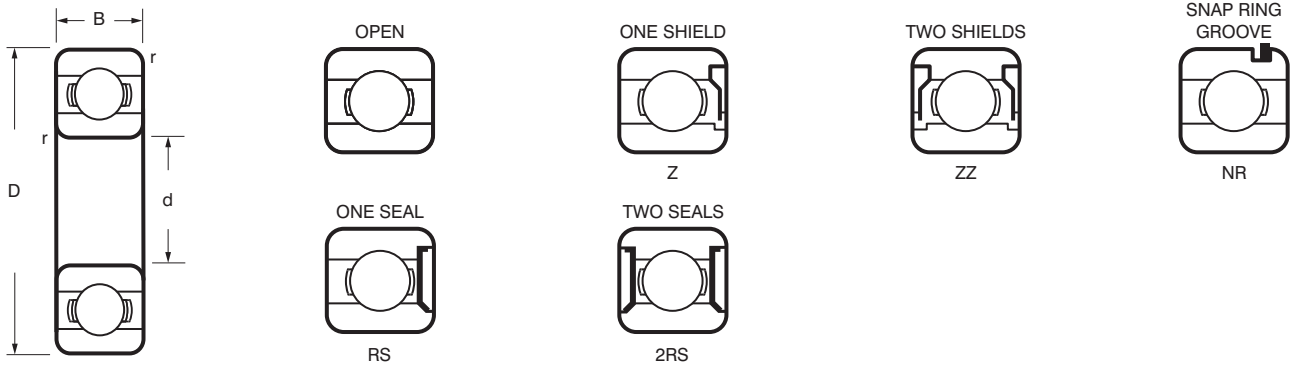




The company to turn to



LRQ 0960929



Ball Bearings 6000 Series

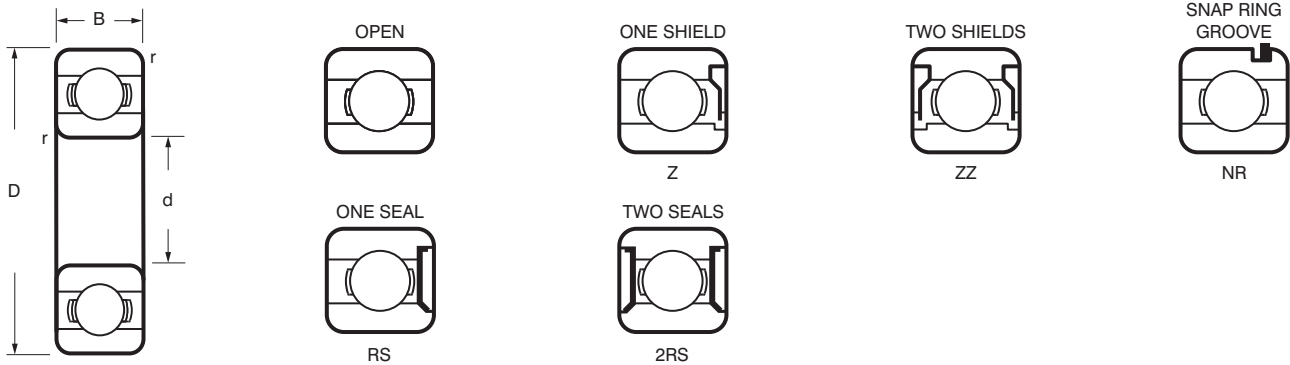
Bearing Number	Nominal Dimensions			Basic load ratings		Limiting speeds	
	d	D (mm)	B	Dynamic (N)	Static	Grease (RPM)	Oil
WM 6000*	10	26	8	4620	1960	30000	36000
WM 6001*	12	28	8	5070	2360	26000	32000
WM 6002*	15	32	9	5590	2850	22000	28000
WM 6003*	17	35	10	6050	3250	19000	24000
WM 6004*	20	42	12	9360	5000	17000	20000
WM 6005*	25	47	12	11200	6550	15000	18000
WM 6006*	30	55	13	13300	8300	12000	15000
WM 6007*	35	62	14	15900	10200	10000	13000
WM 6008*	40	68	15	16800	11600	9500	12000
WM 6009*	45	75	16	20800	14600	9000	11000
WM 6010*	50	80	16	21600	16000	8500	10000
WM 6011*	55	90	18	28100	21200	7500	9000
WM 6012	60	95	18	29600	23200	6700	8000
WM 6013	65	100	18	30700	25000	6300	7500
WM 6014	70	110	20	37700	31000	6000	7000
WM 6015	75	115	20	39700	33500	5600	6700
WM 6016	80	125	22	47500	40000	5300	6300
WM 6017	85	130	22	49400	43000	5000	6000
WM 6018	90	140	24	58500	50000	4800	5600
WM 6019	95	145	24	60500	54000	4500	5300
WM 6020	100	150	24	60500	54000	4300	5000

*These bearings are also available in 440 c stainless steel.

Various changes can be made to these bearings including:

- Circlip grooves
- Modified bores
- Modified O/D's
- Modified lengths
- Anti-rotation slots
- Different radial play
- Taper bores
- Special cages
- Wire grooves "v" or radius

Bowman International Limited reserve the right to change specifications without prior notice E & OE



Ball Bearings 6200 Series

Bearing Number	Nominal Dimensions			Basic load ratings		Limiting speeds	
	d	D (mm)	B	Dynamic (N)	Static	Grease (RPM)	Oil
WM 6200*	10	30	9	5070	2360	24000	30000
WM 6201*	12	32	10	6890	3100	22000	28000
WM 6202*	15	35	11	7800	3750	19000	24000
WM 6203*	17	40	12	9560	4750	17000	20000
WM 6204*	20	47	14	12700	6550	15000	18000
WM 6205*	25	52	15	14000	7800	12000	15000
WM 6206*	30	62	16	19500	11200	10000	13000
WM 6207*	35	72	17	25500	15300	9000	11000
WM 6208*	40	80	18	30700	19000	8500	10000
WM 6209*	45	85	19	33200	21600	7500	9000
WM 6210*	50	90	20	35100	23200	7000	8500
WM 6211*	55	100	21	43600	29000	6300	7500
WM 6212	60	110	22	47500	32500	6000	7000
WM 6213	65	120	23	55900	40500	5300	6300
WM 6214	70	125	24	60500	45000	5000	6000
WM 6215	75	130	25	66300	49000	4800	5600
WM 6216	80	140	26	70200	55000	4500	5300
WM 6217	85	150	28	83200	64000	4300	5000
WM 6218	90	160	30	95600	73500	3800	4500
WM 6219	95	170	32	10800	81500	3600	4300
WM 6220	100	180	34	124000	93000	3400	4000

*These bearings are also available in 440 c stainless steel.

Ball Bearings 6300 Series

Bearing Number	Nominal Dimensions			Basic load ratings		Limiting speeds	
	d	D (mm)	B	Dynamic (N)	Static	Grease (RPM)	Oil
WM 6300*	10	35	11	8060	3400	20000	26000
WM 6301*	12	37	12	9750	4150	19000	24000
WM 6302*	15	42	13	11400	5400	17000	20000
WM 6303*	17	47	14	13500	6550	16000	19000
WM 6304*	20	52	15	15900	7800	13000	16000
WM 6305*	25	62	17	22500	11600	11000	14000
WM 6306*	30	72	19	28100	16000	9000	11000
WM 6307*	35	80	21	33200	19000	8500	10000
WM 6308*	40	90	23	41000	24000	7500	9000
WM 6309*	45	100	25	52700	31500	6700	8000
WM 6310*	50	110	27	61800	38000	6300	7500
WM 6311*	55	120	29	71500	45000	5600	6700
WM 6312	60	130	31	81900	52000	5000	6000
WM 6313	65	140	33	92300	60000	4800	5600
WM 6314	70	150	35	104000	68000	4500	5300
WM 6315	75	160	37	114000	76500	4300	5000

*These bearings are also available in 440 c stainless steel.

Various changes can be made to these bearings including:

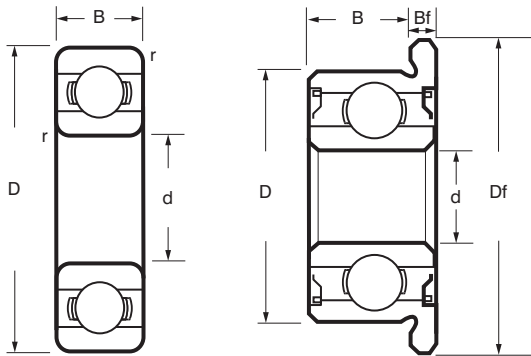
- Circlip grooves
- Modified bores
- Modified O/D's
- Modified lengths
- Anti-rotation slots
- Different radial play
- Taper bores
- Special cages
- Wire grooves "v" or radius



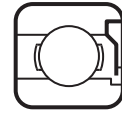
The company to turn to



LRQ 0960929

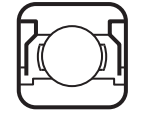


ONE SHIELD



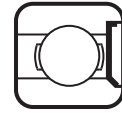
Z

TWO SHIELDS



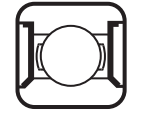
ZZ

ONE SEAL



RS

TWO SEALS



2RS

Metric Miniature Bearings

Bearing Number	Nominal Dimensions				Basic load		Flange Diameter Df (mm)	Flange Width Bf		Weight	
	d	D	B		Dynamic	Static		Open	Sealed	Open	Sealed
	(mm)				(N)		(mm)				
WM MR106	6	10	2.5	3.0	496	218	11.2	0.6	0.6	0.55	0.70
WM MR126	6	12	3.0	4.0	714	295	13.2	0.6	0.8	1.25	1.66
WM 686	6	13	3.5	5.0	1082	442	15.0	1.0	1.1	1.87	2.68
WM 696	6	15	5.0	5.0	1340	523	17.0	1.2	1.2	3.85	3.65
WM 606	6	17	6.0	6.0	2263	846	19.0	1.2	1.2	5.94	6.89
WM 626	6	19	6.0	6.0	2336	896	22.0	1.5	1.5	8.12	8.65
WM 636	6	22	7.0	7.0	3333	1423	25.0	1.5	1.5	13.90	14.50
WM MR117	7	11	2.5	3.0	455	202	12.2	0.6	0.6	0.59	0.71
WM MR137	7	13	3.0	4.0	541	276	14.2	0.6	0.8	1.52	2.01
WM 687	7	14	3.5	5.0	1173	613	16.0	1.0	1.1	2.03	2.95
WM 697	7	17	5.0	5.0	1605	719	19.0	1.2	1.2	5.26	6.01
WM 607	7	19	6.0	6.0	2336	896	22.0	1.5	1.5	7.80	8.24
WM 627	7	22	7.0	7.0	3287	1379	25.0	1.5	1.5	12.70	13.10
WM 637	7	26	9.0	9.0	4563	1983	29.0	2.0	2.0	24.20	25.80
WM MR128	8	12	2.5	3.5	543	274	13.2	0.6	0.8	0.70	0.99
WM MR148	8	14	3.5	4.0	817	386	15.6	0.8	0.8	1.90	2.19
WM 688	8	16	4.0	5.0	1252	592	18.0	1.0	1.1	3.11	4.05
WM 698	8	19	6.0	6.0	2237	917	22.0	1.5	1.5	7.12	7.57
WM 608	8	22	7.0	7.0	3293	1379	25.0	1.5	1.5	11.80	12.90
WM 628	8	24	8.0	8.0	3333	1423				17.10	18.50
WM 638	8	28	9.0	9.0	4563	1983				28.10	30.30
WM 679	9	14	3.0	4.5	919	468	15.5	0.8	0.8	1.35	1.98
WM 689	9	17	4.0	5.0	1327	668	19.0	1.0	1.1	3.41	4.38
WM 699	9	20	6.0	6.0	2467	1081	23.0	1.5	1.5	8.38	8.54
WM 609	9	24	7.0	7.0	3356	1444	27.0	1.5	1.5	14.70	16.00
WM 629	9	26	8.0	8.0	4575	1983				19.00	21.80
WM 639	9	30	10.0	10.0	4659	2080				36.20	37.10

All bearings are also available in 440 c stainless steel.

All bearings are also available with ceramic balls.

Various changes can be made to these bearings including:

- Circlip grooves
- Modified bores
- Modified O/D's
- Modified lengths
- Anti-rotation slots
- Different radial play
- Taper bores
- Special cages
- Wire grooves "v" or radius

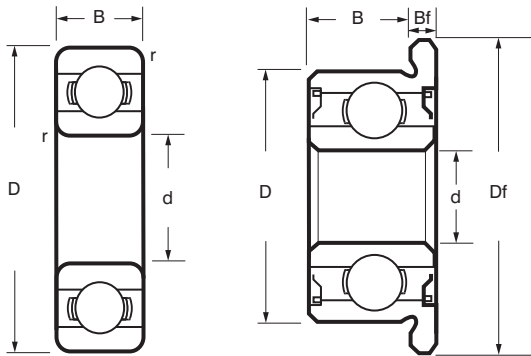
Bowman International Limited reserve the right to change specifications without prior notice E & OE



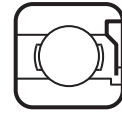
The company to turn to



LRQ 0960929

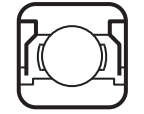


ONE SHIELD



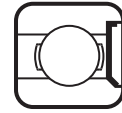
Z

TWO SHIELDS



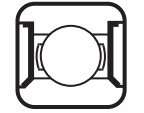
ZZ

ONE SEAL



RS

TWO SEALS



2RS

Metric Miniature Bearings

Bearing Number	Nominal Dimensions				Basic load		Flange Diameter Df (mm)	Flange Width Bf		Weight	
	d	D	B		Dynamic	Static		Open	Sealed	Open	Sealed
	(mm)				(N)		(mm)				
WM 682	2	5	1.5	2.3	169	50	6.1	0.5	0.6	0.15	0.20
WM MR52	2	5	2.0	2.5	169	50	6.2	0.6	0.6	0.14	0.20
WM 692	2	6	2.3	3.0	330	99	7.5	0.6	0.8	0.28	0.35
WM MR62	2	6	2.5	2.5	330	99	7.2	0.6	0.6	0.28	0.33
WM MR72	2	7	2.5	3.0	386	129	8.2	0.6	0.6	0.43	0.53
WM 602	2	7	2.8	3.5	386	129	8.5	0.7	0.9	0.50	0.60
WM MR63	3	6	2.0	2.5	209	74	7.2	0.6	0.6	0.20	0.28
WM 683	3	7	2.0	3.0	311	112	8.1	0.5	0.8	0.32	0.45
WM MR83	3	8	2.5	3.0	395	141	9.2	0.6	0.6	0.51	0.67
WM 693	3	8	3.0	4.0	558	180	9.5	0.7	0.9	0.60	0.80
WM MR93	3	9	2.5	4.0	571	189	10.2	0.6	0.8	0.75	1.30
WM 603	3	9	3.0	5.0	571	189	10.5	0.7	1.0	0.84	1.43
WM 623	3	10	4.0	4.0	631	219	11.5	1.0	1.0	1.45	1.65
WM 633	3	13	5.0	5.0	1301	488	15.0	1.0	1.0	3.27	3.43
WM MR74	4	7	2.0	2.5	311	115	8.2	0.6	0.6	0.23	0.33
WM MR84	4	8	2.0	3.0	395	141	9.2	0.6	0.6	0.39	0.56
WM 684	4	9	2.5	4.0	641	227	10.3	0.6	1.0	0.65	1.00
WM MR104	4	10	3.0	4.0	711	272	11.2	0.6	0.8	0.96	1.33
WM 694	4	11	4.0	4.0	957	350	12.5	1.0	1.0	1.69	1.75
WM 604	4	12	4.0	4.0	957	350	13.5	1.0	1.0	2.19	2.34
WM 624	4	13	5.0	6.0	1301	488	15.0	1.0	1.0	3.10	3.20
WM 634	4	16	5.0	6.0	1340	523	18.0	1.0	1.0	5.24	5.44
WM MR85	5	8	2.0	2.5	308	120	9.2	0.6	0.6	0.25	0.34
WM MR95	5	9	2.5	3.0	431	169	10.2	0.6	0.6	0.54	0.58
WM MR105	5	10	3.0	4.0	431	169	11.2	0.6	0.8	0.91	1.26
MR115	5	11		4.0	716	282	12.6		0.8		0.62
WM 685	5	11	3.0	5.0	716	282	12.5	0.8	1.0	1.16	1.93
WM 695	5	13	4.0	4.0	1077	432	15.0	1.0	1.0	2.39	2.31
WM 605	5	14	5.0	5.0	329	507	16.0	1.0	1.0	3.46	3.75
WM 625	5	16	5.0	5.0	1729	675	18.0	1.0	1.0	4.95	5.10
WM 635	5	19	5.0	5.0	2336	896	22.0	1.5	1.5	8.50	8.89

All bearings are also available in 440 c stainless steel.

All bearings are also available with ceramic balls.

Various changes can be made to these bearings including:

- Circlip grooves
- Modified lengths
- Taper bores
- Modified bores
- Anti-rotation slots
- Special cages
- Modified O/D's
- Different radial play
- Wire grooves "v" or radius

Bowman International Limited reserve the right to change specifications without prior notice E & OE

BOWMAN INTERNATIONAL LIMITED

10 Isis Court, Wyndyke Furlong, Abingdon Business Park, Abingdon, Oxfordshire, OX14 1DZ England

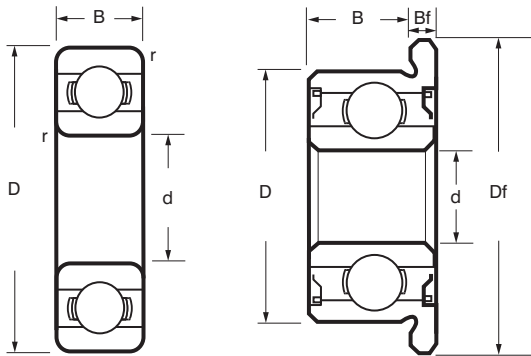
Tel +44 (0)1235 815816 Fax +44 (0)1235 811234 E-mail enquiries@bowman.co.uk Website www.bowman.co.uk



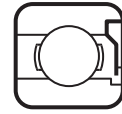
The company to turn to



LRQ 0960929

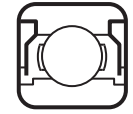


ONE SHIELD



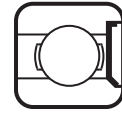
Z

TWO SHIELDS



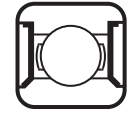
ZZ

ONE SEAL



RS

TWO SEALS



2RS

Imperial Miniature Bearings

Bearing Number	Nominal Dimensions				Basic load		Flange Diameter Df (mm)	Flange Width Bf		Weight	
	d	D	B		Dynamic	Static		Open	Sealed	Open	Sealed
	(mm)				(N)		(mm)		(g)		
WM R133	0.0937	0.1875	0.0625	0.0937	189	60	0.2340	0.0180		0.10	0.15
WM RI.5	0.0937	0.3125	0.1094	0.1406	552	176	0.3590	0.0230	0.0310	0.60	1.15
WM R144	0.1250	0.2500	0.0937	0.1094	284	96	0.2960	0.0230	0.0310	0.27	0.40
WM R2.5	0.1250	0.3125	0.1094	0.1406	558	180	0.3590	0.0230	0.0310	0.50	0.74
WM R2.6	0.1250	0.3750	0.1094	0.1406	640	227	0.4220	0.0230	0.0310	0.96	1.23
WM R2	0.1250	0.3750	0.1562	0.1562	631	219	0.4400	0.0300	0.0300	1.04	1.37
WM R2A	0.1250	0.5000	0.1719	0.1719	640	227				3.30	3.30
WM R155	0.1562	0.3125	0.1094	0.1250	359	150	0.3590	0.0230	0.0360	0.51	0.61
WM R156	0.1875	0.3125	0.1094	0.1250	359	150	0.3590	0.0230	0.0360	0.40	0.45
WM R166	0.1875	0.3750	0.1250	0.1250	709	272	0.4220	0.0230	0.0310	0.81	0.85
WM R3	0.1875	0.5000	0.1562	0.1960	1301	488	0.5650	0.0420	0.0420	2.21	2.95
WM R3A	0.1875	0.6250	0.1960	0.1960	1480	621				4.75	5.08
WM R168	0.2500	0.3750	0.1250	0.1250	373	172	0.4220	0.0230	0.0360	0.57	0.60
WM R188	0.2500	0.5000	0.1250	0.1875	1082	442	0.5470	0.0230	0.0450	1.60	2.32
WM R4	0.2500	0.6250	0.1960	0.1960	1480	621	0.6900	0.0420	0.0420	4.46	4.54
WM R4A	0.2500	0.7500	0.2188	0.2812	2336	896				7.48	10.00
WM R1810	0.3125	0.5000	0.1562	0.1562	542	276	0.5470	0.0310	0.0310	1.39	1.57
WM R6	0.3750	0.8750	0.2188	0.2812	3332	1422	0.9690	0.0620	0.0620	9.02	11.70
WM R8	0.5000	1.1250	0.2500	0.3125	5108	2413	1.2252	0.0620	0.0620	11.60	24.10

All bearings are also available in 440 c stainless steel.

All bearings are also available with ceramic balls.

Various changes can be made to these bearings including:

- Circlip grooves
- Modified bores
- Modified O/D's
- Modified lengths
- Anti-rotation slots
- Different radial play
- Taper bores
- Special cages
- Wire grooves "v" or radius

Bowman International Limited reserve the right to change specifications without prior notice E & OE